

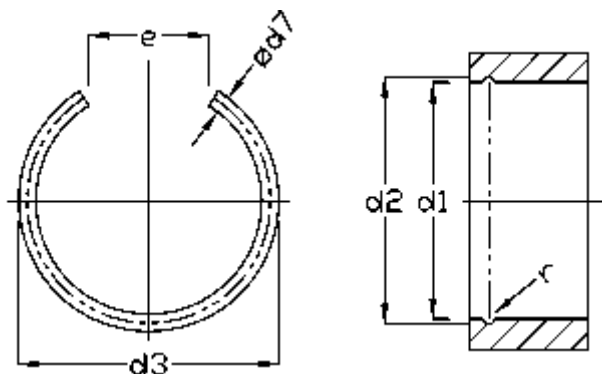
# Data Sheet



Article number: 0129057

Description: Circlip RB 40 DIN 7993

## Measures



d1	= 40
d2	= 42.50
d3	= 42.9
d7	= 2.5
Description	= RB 40
e	= 12
r	= 1.4
tol	= +0,10 -0,10

tol	= 0.6
Weight kg/1000	= 999.999